

# MTC-4021-2G

21.5" Fanless Multi-Touch Computer, Intel® Core™ i7/ i5/ i3 Processor (Broadwell-U) with 2 Gigabit LAN, 2 External SIM Socket, 4 COM, 4 USB, 6V to 36V DC-in with 80V Surge Protection



## Features

- 21.5" 16 : 9 Full HD (1920 x 1080) LCD Panel with LED Backlight
- Projected Capacitive 10-point Multi-Touch Screen with 7H Anti-Scratch Surface
- Fanless, 5th Generation Intel® Core™ i7/ i5/ i3 Processor (Broadwell-U)
- 6V to 36V DC-in, 80V Surge Protection
- 2 Independent Gigabit LAN
- 2 External SIM Socket support 3G/ 4G/ LTE/ WiFi/ GPRS/ UMTS
- External CFast, 4 COM, 2 USB 3.0, 2 USB 2.0
- Touchscreen works with gloves
- Sunlight Readable (Optional)
- IP65 Front Panel Protection (Optional)



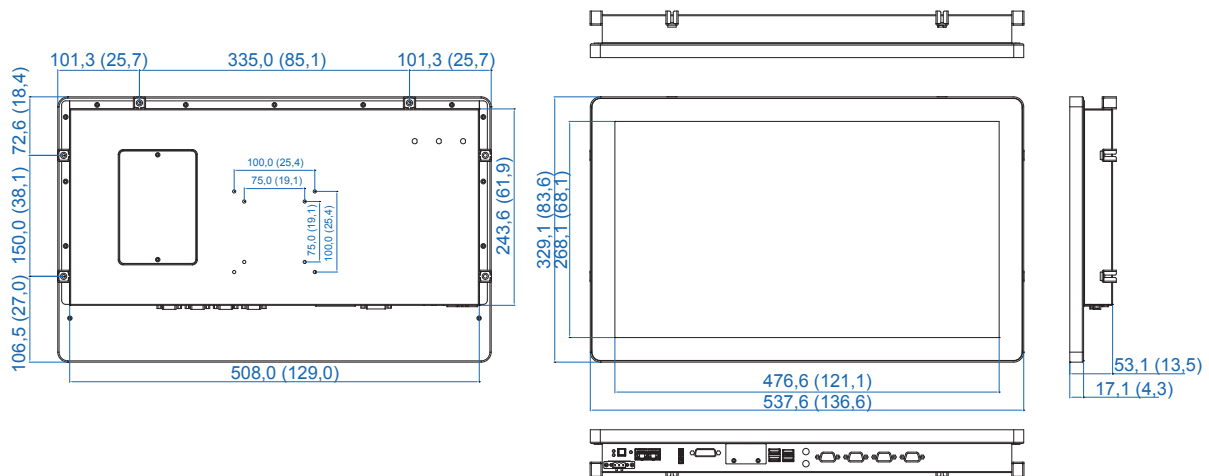
## Specifications

Panel	
Panel Type	TFT LCD
Active Area	21.5" (16 : 9)
Max. Resolution	1920 x 1080 (Full HD)
Display Color	16.7M (RGB 8-bit)
Backlight	LED Backlight
Brightness (cd/m <sup>2</sup> )	250 (Optional, up to 1200)
Viewing Angle	178°/178° (H/V)
Contrast Ratio	3000 : 1
Touch Screen	
Touch Screen Type	10-point Projected Capacitive
Transparency	≥ 85%
Surface Hardness	7H Surface Hardness
Control Interface	USB Interface
System	
Processor	Intel® Core™ i7-5650U/ i5-5350U/ i3-5010U Processor (Broadwell-U)
Chipset	Intel® SoC
Memory	2 DDR3L 1333/ 1600 MHz SO-DIMM, up to 16GB
Graphics	Intel® HD Graphics 6000
Ethernet	<ul style="list-style-type: none"> <li>▪ 1 Intel® I218 Gigabit LAN</li> <li>▪ 1 Intel® I210 Gigabit LAN</li> </ul>
Audio	Realtek ALC892, 5.1 Channel HD Audio
OS Support	Windows 8, Windows 7, Linux
I/O Interface	
Serial	4 COM RS-232/ 422/ 485
USB	<ul style="list-style-type: none"> <li>▪ 2 USB 3.0</li> <li>▪ 2 USB 2.0</li> </ul>
LAN	2 Independent Gigabit LAN
Audio	1 Mic-in, 1 Line-out
Display	<ul style="list-style-type: none"> <li>▪ DVI-D : Up to 1920 x 1080 @ 60Hz</li> <li>▪ DisplayPort : Up to 3840 x 2160 @ 60Hz</li> </ul>
LED	Power, HDD
CFast	1 External CFast Socket, Push-in/ Push-out Ejector
SIM Card	2 External SIM Card Socket

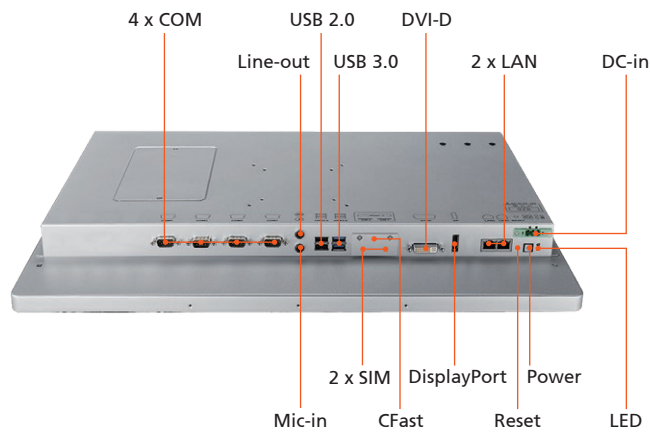
Expansion	
Mini PCIe	2 Mini PCIe Socket : <ul style="list-style-type: none"> <li>▪ 1 Mini PCIe for PCIe/ USB/ SIM Card</li> <li>▪ 1 Mini PCIe for PCIe/ USB/ SIM Card/ mSATA</li> </ul>
Storage	
SATA	1 SATA III (6Gbps)
mSATA	1 SATA III (Mini PCIe Type, 6Gbps)
Storage Device	<ul style="list-style-type: none"> <li>▪ 1 External CFast Socket</li> <li>▪ 1 Internal 2.5" SSD/ HDD Bracket</li> </ul>
Power	
Power Input	6V to 36V, DC-in
Power Interface	3-pin Terminal Block : V+, V-, Frame Ground
Power Adapter	AC to DC 120W Power Adapter (Optional)
Surge Protection	Up to 80V/1ms Transient Power
Others	
TPM	Optional Infineon SLB9665 supports TPM 2.0, LPC Interface
Watchdog Timer	Reset : 1 to 255 sec./min. per step
Smart Management	Wake on LAN, PXE supported
HW Monitor	Monitoring temperature, voltages. Auto throttling control when CPU overheats.
Mechanical	
Dimensions (W x H x L)	537.6mm x 329.1mm x 53.1mm (21.2" x 13" x 2.1")
Weight	5.8 kg (12.8 lb)
Front Panel Protection	IP65 Compliant (Optional)
Mounting	<ul style="list-style-type: none"> <li>▪ VESA Mount (75 x 75mm, 100 x 100mm)</li> <li>▪ Panel Mount</li> </ul>
Environment	
Operating Temperature	0°C to 50°C (32°F to 122°F)
Storage Temperature	-20°C to 60°C (-4°F to 140°F)
Humidity	10% to 90% Humidity, non-condensing
Shock	<ul style="list-style-type: none"> <li>▪ IEC 60068-2-27</li> <li>▪ 20G, Half-sine, 11ms</li> </ul>
Vibration	<ul style="list-style-type: none"> <li>▪ IEC 60068-2-64</li> <li>▪ Non-operation : 10Hz to 200Hz, 1.5Grms, X, Y, Z, 30 mins each Axis</li> </ul>
EMC	CE, FCC

## Dimensions

Unit : mm/ inch



## I/O



## Order Information

<b>MTC-4021-2G650U</b>	MTC-4021 21.5" Fanless Multi-Touch Computer, 2 GbE LAN, 2 SIM, 4 COM, 4 USB, Onboard Intel® Core™ i7-5650U
<b>MTC-4021-2G350U</b>	MTC-4021 21.5" Fanless Multi-Touch Computer, 2 GbE LAN, 2 SIM, 4 COM, 4 USB, Onboard Intel® Core™ i5-5350U
<b>MTC-4021-2G010U</b>	MTC-4021 21.5" Fanless Multi-Touch Computer, 2 GbE LAN, 2 SIM, 4 COM, 4 USB, Onboard Intel® Core™ i3-5010U
<b>MTC-4021P</b>	MTC-4021 21.5" Fanless Multi-Touch Computer with 5th Gen Intel® Core™ i7/ i5/ i3 Processor (Broadwell-U), built with IP65
<b>DDR3L4G</b>	Certified DDR3L-1600 4G RAM
<b>DDR3L8G</b>	Certified DDR3L-1600 8G RAM
<b>PWA-120W</b>	120W, 24V, 90VAC to 264VAC Power Adapter with 3-pin Terminal Block
<b>PWA-160W-WT</b>	160W, 24V, 85VAC to 264VAC Power Adapter with 3-pin Terminal Block, Wide Temperature -30°C to +70°C
<b>Panel-Mount</b>	Panel Mount Kit
<b>VESA Stand</b>	VESA Table Stand
<b>3G Module</b>	Mini PCIe 3G/GPS Module with Antenna
<b>4G Module</b>	Mini PCIe 4G/GPS Module with Antenna
<b>WiFi &amp; Bluetooth Module</b>	Intel® Mini PCIe WiFi & Bluetooth Module with Antenna



[www.systemtech.se](http://www.systemtech.se)

Tel: 013-35 70 30  
 sales@systemtech.se  
 Linnégatan 14 • 582 25 LINKÖPING

1

High Performance  
Embedded System

2

Expandable  
Embedded System

3

Ultra Compact  
Embedded System

4

Multi-Touch  
Computer/ Display

5

Frame  
Grabber