

MTC-4021-PoE

21.5" Fanless Multi-Touch Computer, Intel® Core™ i7/ i5/ i3 Processor (Broadwell-U), 6 Gigabit LAN with 4 PoE+, 2 External SIM Socket, 4 COM, 4 USB, 6V to 36V DC-in with 80V Surge Protection



Features

- 21.5" 16 : 9 Full HD (1920 x 1080) LCD Panel with LED Backlight
- Projected Capacitive 10-point Multi-Touch Screen with 7H Anti-Scratch Surface
- Fanless, 5th Generation Intel® Core™ i7/ i5/ i3 Processor (Broadwell-U)
- 6V to 36V DC-in, 80V Surge Protection
- 6 Gigabit LAN with 4 IEEE 802.3at PoE+
- 2 External SIM Socket support 3G/ 4G/ LTE/ WiFi/ GPRS/ UMTS
- External CFast, 4 COM, 2 USB 3.0, 2 USB 2.0
- Touchscreen works with gloves
- Sunlight Readable (Optional)
- IP65 Front Panel Protection (Optional)



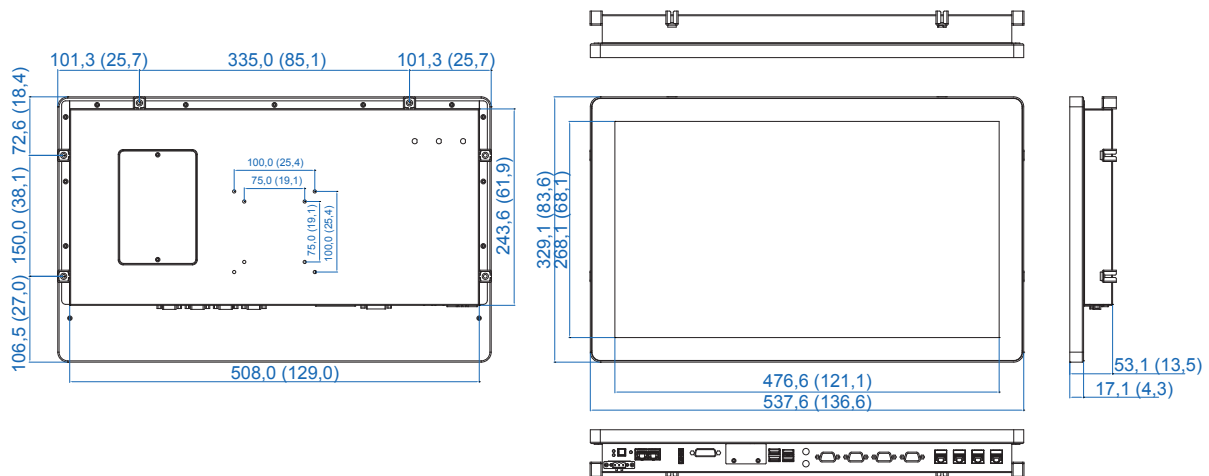
Specifications

Panel	
Panel Type	TFT LCD
Active Area	21.5" (16 : 9)
Max. Resolution	1920 x 1080 (Full HD)
Display Color	16.7M (RGB 8-bit)
Backlight	LED Backlight
Brightness (cd/m ²)	250 (Optional, up to 1200)
Viewing Angle	178°/178° (H/V)
Contrast Ratio	3000 : 1
Touch Screen	
Touch Screen Type	10-point Projected Capacitive
Transparency	≥ 85%
Surface Hardness	7H Surface Hardness
Control Interface	USB Interface
System	
Processor	Intel® Core™ i7-5650U/ i5-5350U/ i3-5010U Processor (Broadwell-U)
Chipset	Intel® SoC
Memory	2 DDR3L 1333/ 1600 MHz SO-DIMM, up to 16GB
Graphics	Intel® HD Graphics 6000
Ethernet	<ul style="list-style-type: none"> ▪ 1 Intel® I218 Gigabit LAN ▪ 5 Intel® I210 Gigabit LAN
Audio	Realtek ALC892, 5.1 Channel HD Audio
OS Support	Windows 8, Windows 7, Linux
I/O Interface	
Serial	4 COM RS-232/ 422/ 485
USB	<ul style="list-style-type: none"> ▪ 2 USB 3.0 ▪ 2 USB 2.0
LAN	6 Independent Gigabit LAN, 4 support IEEE 802.3at PoE+
Audio	1 Mic-in, 1 Line-out
Display	<ul style="list-style-type: none"> ▪ DVI-D : Up to 1920 x 1080 @ 60Hz ▪ DisplayPort : Up to 3840 x 2160 @ 60Hz
LED	Power, HDD
CFast	1 External CFast Socket, Push-in/ Push-out Ejector
SIM Card	2 External SIM Card Socket

Expansion	
Mini PCIe	2 Mini PCIe Socket : <ul style="list-style-type: none"> ▪ 1 Mini PCIe for PCIe/ USB/ SIM Card ▪ 1 Mini PCIe for PCIe/ USB/ SIM Card/ mSATA
Storage	
SATA	1 SATA III (6Gbps)
mSATA	1 SATA III (Mini PCIe Type, 6Gbps)
Storage Device	<ul style="list-style-type: none"> ▪ 1 External CFast Socket ▪ 1 Internal 2.5" SSD/ HDD Bracket
Power	
Power Input	6V to 36V, DC-in
Power Interface	3-pin Terminal Block : V+, V-, Frame Ground
Power Adapter	AC to DC 120W Power Adapter (Optional)
Surge Protection	Up to 80V/1ms Transient Power
Others	
TPM	Optional Infineon SLB9665 supports TPM 2.0, LPC Interface
Watchdog Timer	Reset : 1 to 255 sec./min. per step
Smart Management	Wake on LAN, PXE supported
HW Monitor	Monitoring temperature, voltages. Auto throttling control when CPU overheats.
Mechanical	
Dimensions (W x H x L)	537.6mm x 329.1mm x 53.1mm (21.2" x 13" x 2.1")
Weight	5.8 kg (12.8 lb)
Front Panel Protection	IP65 Compliant (Optional)
Mounting	<ul style="list-style-type: none"> ▪ VESA Mount (75 x 75mm, 100 x 100mm) ▪ Panel Mount
Environment	
Operating Temperature	0°C to 50°C (32°F to 122°F)
Storage Temperature	-20°C to 60°C (-4°F to 140°F)
Humidity	10% to 90% Humidity, non-condensing
Shock	<ul style="list-style-type: none"> ▪ IEC 60068-2-27 ▪ 20G, Half-sine, 11ms
Vibration	<ul style="list-style-type: none"> ▪ IEC 60068-2-64 ▪ Non-operation : 10Hz to 200Hz, 1.5Grms, X, Y, Z, 30 mins each Axis
EMC	CE, FCC

Dimensions

Unit : mm/ inch



1

High Performance Embedded System

2

Expandable Embedded System

3

Ultra Compact Embedded System

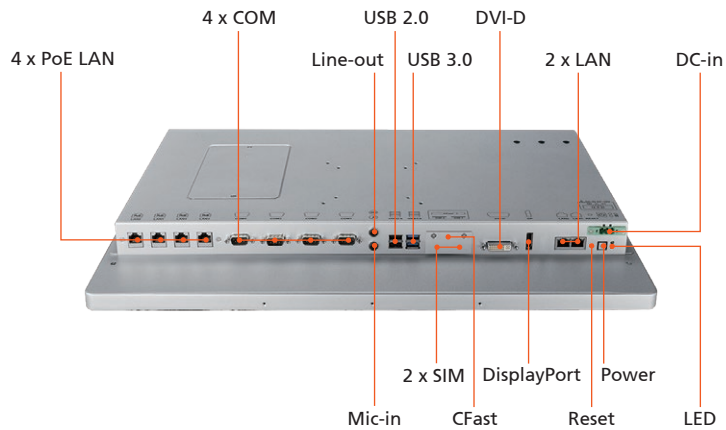
4

Multi-Touch Computer/ Display

5

Frame Grabber

I/O



Order Information

MTC-4021-PoE650U	MTC-4021 21.5" Fanless Multi-Touch Computer, 6 GbE LAN with 4 PoE+, 2 SIM, 4 COM, 4 USB, Onboard Intel® Core™ i7-5650U
MTC-4021-PoE350U	MTC-4021 21.5" Fanless Multi-Touch Computer, 6 GbE LAN with 4 PoE+, 2 SIM, 4 COM, 4 USB, Onboard Intel® Core™ i5-5350U
MTC-4021-PoE010U	MTC-4021 21.5" Fanless Multi-Touch Computer, 6 GbE LAN with 4 PoE+, 2 SIM, 4 COM, 4 USB, Onboard Intel® Core™ i3-5010U
MTC-4021P	MTC-4021 21.5" Fanless Multi-Touch Computer with 5th Gen Intel® Core™ i7/ i5/ i3 Processor (Broadwell-U), built with IP65
DDR3L4G	Certified DDR3L-1600 4G RAM
DDR3L8G	Certified DDR3L-1600 8G RAM
PWA-120W	120W, 24V, 90VAC to 264VAC Power Adapter with 3-pin Terminal Block
PWA-160W-WT	160W, 24V, 85VAC to 264VAC Power Adapter with 3-pin Terminal Block, Wide Temperature -30°C to +70°C
Panel-Mount	Panel Mount Kit
VESA Stand	VESA Table Stand
3G Module	Mini PCIe 3G/GPS Module with Antenna
4G Module	Mini PCIe 4G/GPS Module with Antenna
WiFi & Bluetooth Module	Intel® Mini PCIe WiFi & Bluetooth Module with Antenna



www.systemtech.se

Tel: 013-35 70 30

sales@systemtech.se

Linnégatan 14 • 582 25 LINKÖPING